

Scooter Rack

data sheet

The Queensbury scooter rack is available in any size and can be either single or double sided.

The standard configuration is single sided unit that can accommodate 15 scooters. The design is based around a sheffield stand and can be supplied with bolt down or dig in base.

The rack is available in either a galvanized finish or powder coated to match any standard RAL colour.

User provides own lock if required. As an optional extra we can supply security bars and chains, the user would then just provide a padlock.



Scooter Rack
15 scooter capacity



Scooter Rack
15 scooter capacity



Scooter Rack
Security Bar detail



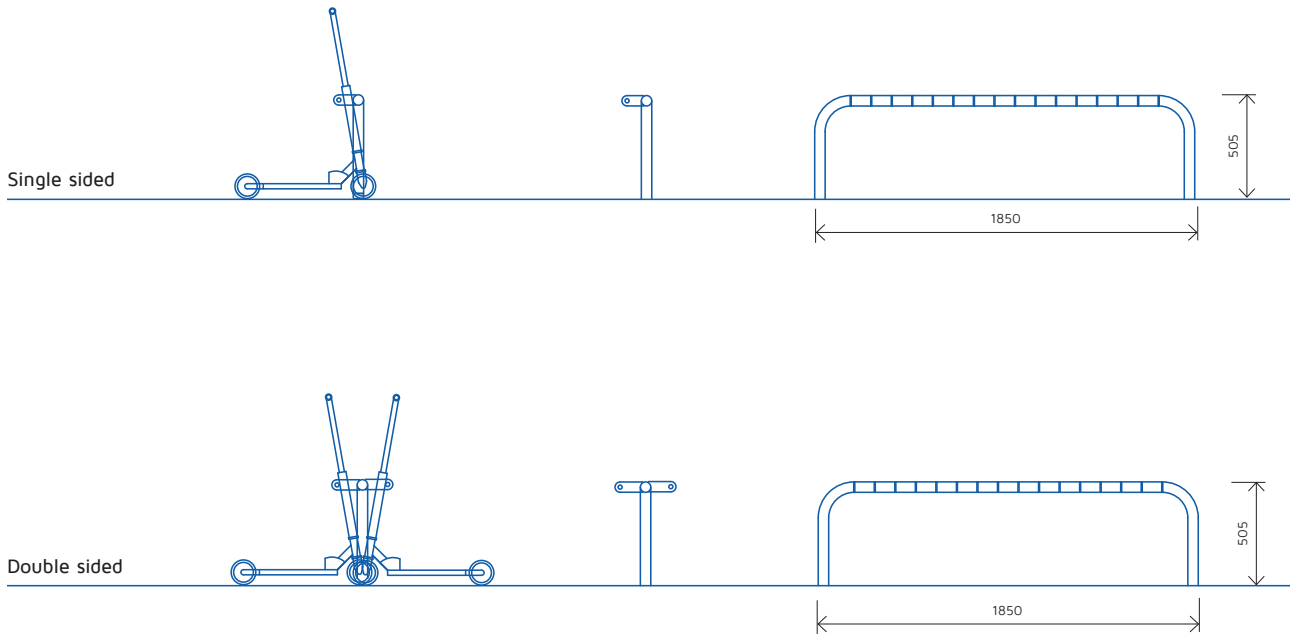
Scooter Rack
Security bar detail



Scooter Rack
Mounted in Cycle Shelter

Scooter Rack

data sheet



SPECIFICATION

Stand:	Steel tube (50mm diameter)
Finish:	Option 1: Hot dip galvanized Option 2: Powder coated to RAL colour
Ground Fixing:	Dig in or Bolt down
Fixings:	Stainless steel
Modular Design:	Yes
Capacity:	Single sided: 15 scooters total (8 lockable with optional security bar and chain) Double side: 30 scooter total (16 lockable with optional security bar and chain)

OPTIONS

Configurations:	Single sided Double sided
Security:	Security bar and chain

Queensbury Shelters Ltd.
Fitzherbert Road
Farlington Portsmouth
Hampshire PO6 1SE

www.queensburysshelters.co.uk
sales@queensburysshelters.co.uk
T. 023 9221 0052
F. 023 9221 0059

