

# Sheffield Stands

data sheet

The Sheffield cycle stand is the common stand used for cycle parking. Queensbury Shelters can provide various options in the toast rack or single stand style.

The toast rack style has multiple stands welded to two base rails, which is available in 3, 4 or 5 stand variants. The single stand is available in both bolt down and dig in versions, both of these stands are also available in a tapping rail option. If fixing a row of stands the tapping rail stand is recommended for the end stand, so this can be identified by anyone using a cane.

All the stands are available in a standard galvanized finish, powder coated or stainless steel.



Sheffield Stand Toast Rack  
10 cycle capacity, galvanized



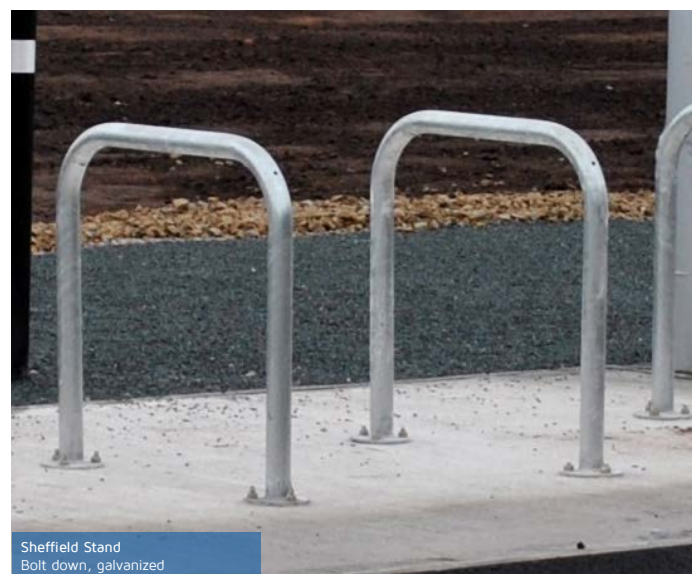
Sheffield Stand Toast Rack  
8 cycle capacity, powder coated



Sheffield Stand Toast Rack  
10 cycle capacity, galvanized



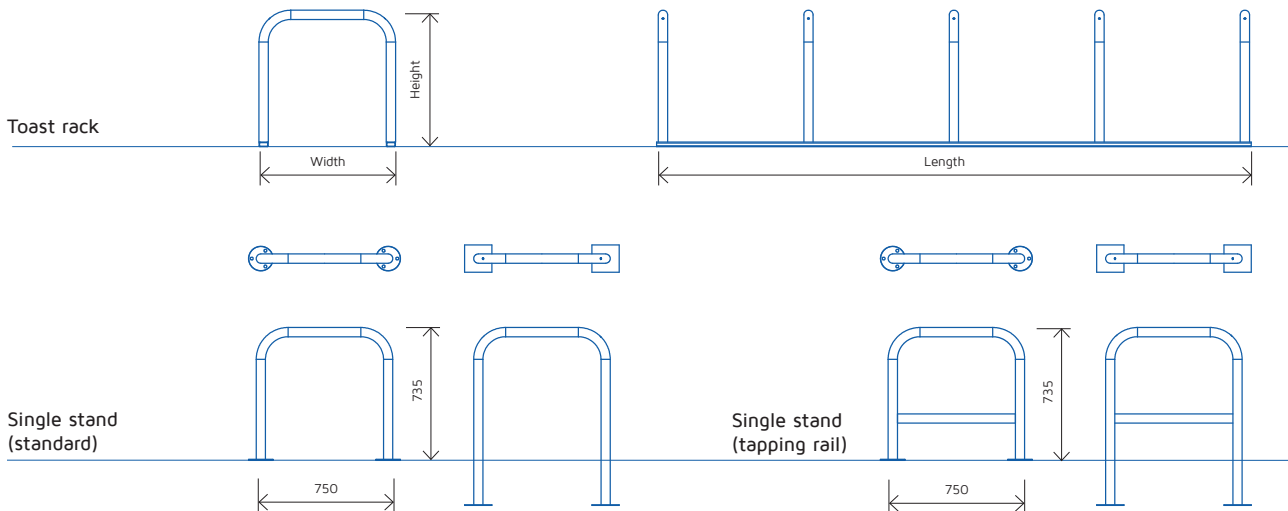
Sheffield Stand Toast Rack  
8 cycle capacity, powder coated



Sheffield Stand  
Bolt down, galvanized

# Sheffield Stands

data sheet



SHEFFIELD STAND Toast Rack			
Capacity	Length	Height	Width
6 Cycles	1670mm	750mm	750mm
8 Cycles	2470mm	750mm	750mm
10 Cycles	3270mm	750mm	750mm

## SPECIFICATION

<b>Stand:</b>	Steel tube (50mm diameter)
<b>Finish:</b>	Option 1: Hot dip galvanized Option 2: Powder coated to match RAL colour Option 3: Stainless steel
<b>Ground Fixing:</b>	Dig in or Bolt down
<b>Fixings:</b>	Stainless steel
<b>Modular Design:</b>	Yes

## OPTIONS

<b>Configurations:</b>	Toast rack Single stand (standard) Single stand (tapping rail)
------------------------	--

Queensbury Shelters Ltd.  
Fitzherbert Road  
Farlington Portsmouth  
Hampshire PO6 1SE

[www.queensburysshelters.co.uk](http://www.queensburysshelters.co.uk)  
sales@queensburysshelters.co.uk  
T. 023 9221 0052  
F. 023 9221 0059

